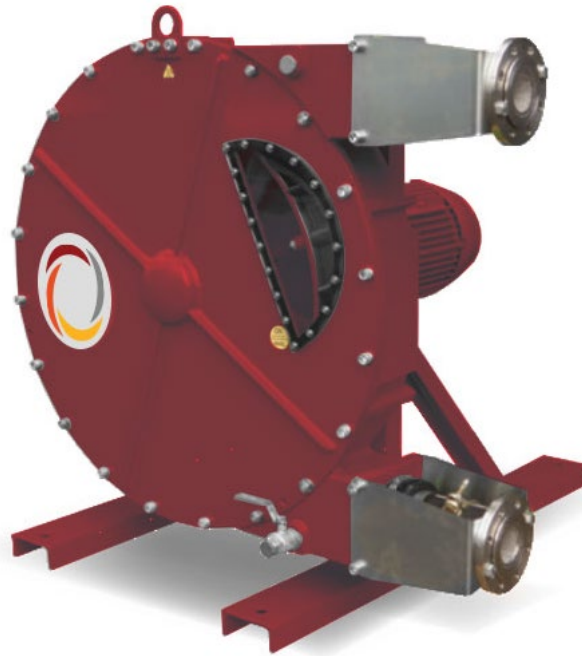


CREST05

Open Flow Pumps



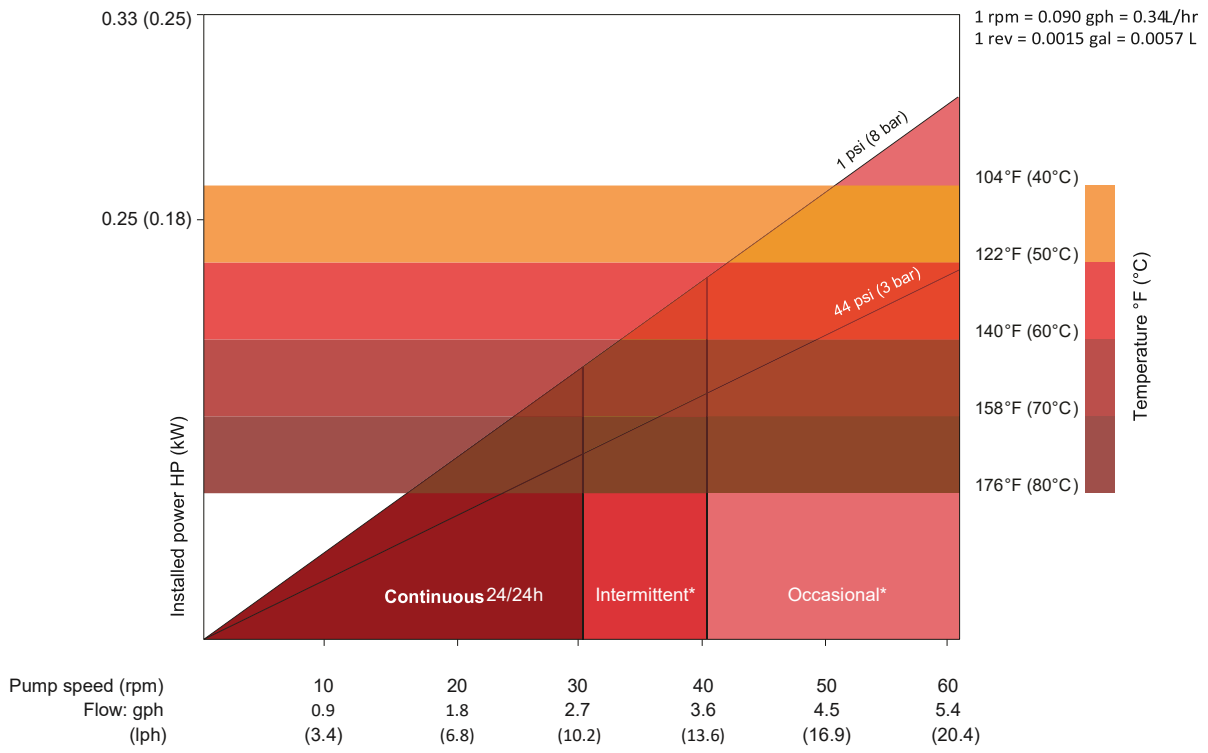
DAEPUMPS.COM

info@daepumps.com

(760) 821-8112

CREST05

3 Lobes / Data Sheet

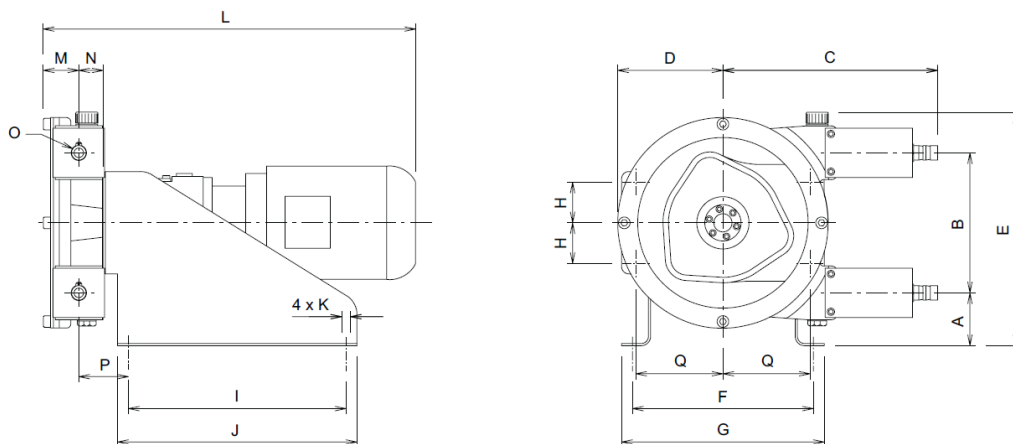


Lubricant Required: 0.05 gal / 0.2 L
Assembly Weight: 55 lbs / 25 kg

*Intermittent use : minimum one hour stop after 2 hours run / *Occasional use : maximum one hour a day

DIMENSIONS

Inch (mm)



TYPE	A	B	C	D	E	F	G	H	I	J	K	L	M	N	ØO	P	Q
CREST05	4.0 (104)	4.5 (115)	8.9 (226)	3.7 (95)	10.7 (271)	8.7 (220)	9.4 (240)	1.3 (33.5)	10.2 (260)	11.0 (280)	4xø0.35 (4xø9)	-	1.7 (42.5)	1.4 (36.5)	0.6 (16 *)	2.6 (66)	3.2 (81.3)

