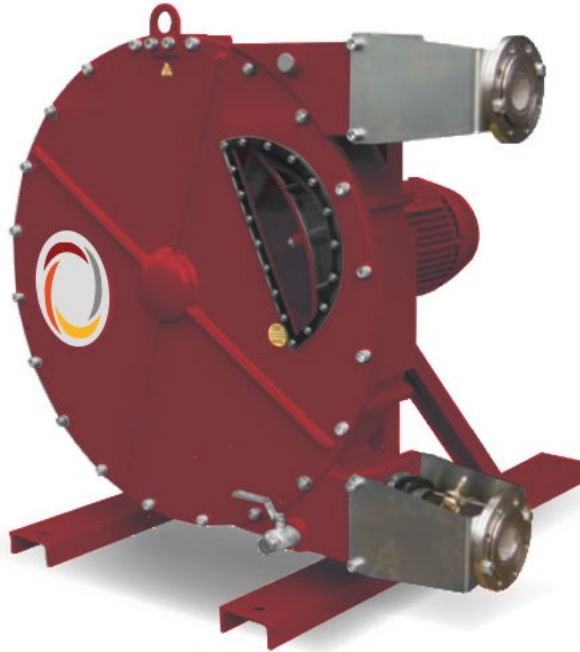


CREST15

Open Flow Pumps



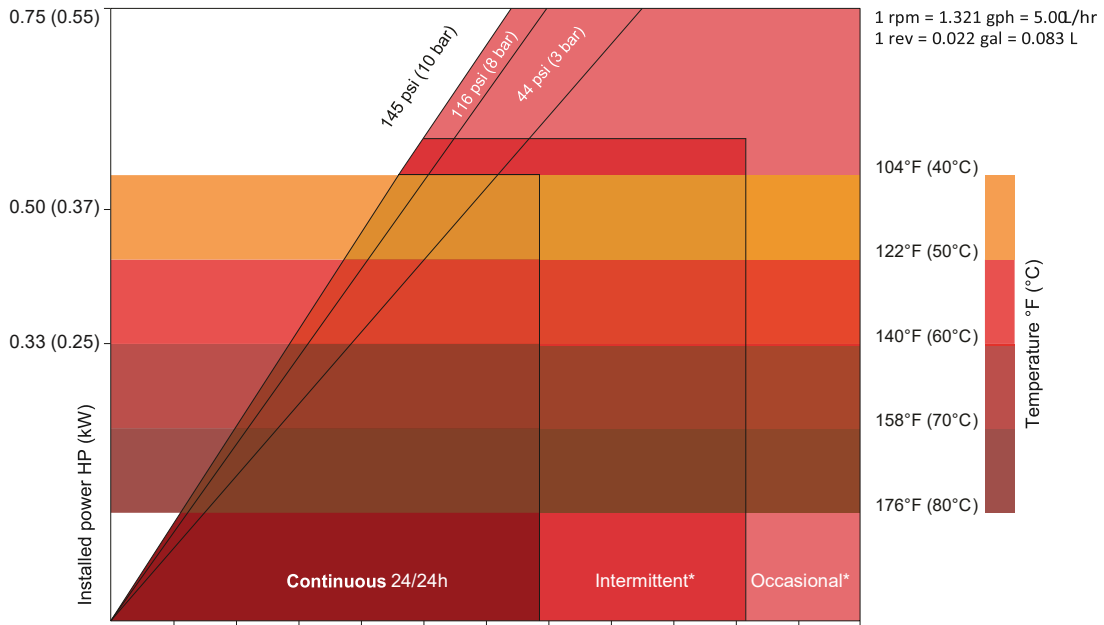
DAEPUMPS.COM

info@daepumps.com

(760) 821-8112

CREST15

Data Sheet



Pump speed (Rpm)	10	20	30	40	50	60	70	80	90	100	110	120
Flow: gph	13.2	26.4	39.6	52.8	66.1	79.3	92.5	105.7	118.9	132.1	145.3	158.5
(lph)	(50)	(100)	(150)	(200)	(250)	(300)	(350)	(400)	(450)	(500)	(550)	(600)

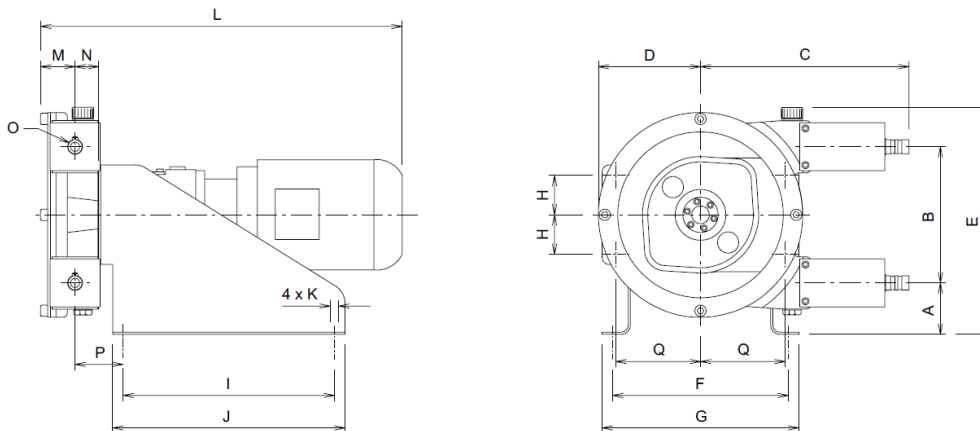
Lubricant Required: 0.14 gal / 0.55 L

Assembly Weight: 77 lbs / 35 kg

*Intermittent use : minimum one hour stop after 2 hours run / *Occasional use : maximum one hour a day

DIMENSIONS

Inch (mm)



TYPE	A	B	C	D	E	F	G	H	I	J	K	L	M	N	ØO	P	Q
CREST15	2.9 (73)	7.6 (193)	11.7 (297)	5.7 (145)	12.8 (325)	9.8 (249)	11.0 (280)	2.0 (52)	11.8 (300)	13.0 (330)	4xØ0.5 (4xØ13)	-	1.8 (46)	1.4 (35.5)	0.7 (20 *)	2.8 (70.5)	4.9 (124.8)