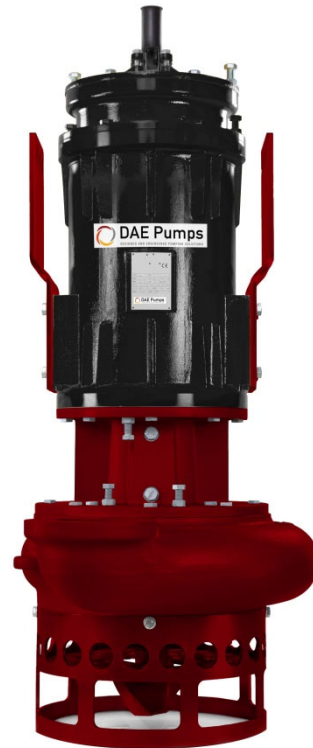


Miramar L1060

Submersible Slurry Pumps



DAEPUMPS.COM

info@daepumps.com

(760) 821-8112

Miramar L1060

The **Miramar Slurry Pumps** are the toughest, and have the largest apertures to facilitate handling of slurry with the most challenging solids.



EFFICIENT MOTOR

Electric motor insulation class H with PTC and

EASY ACCESS

Efficient motor cooling with top discharge and side flow

ROBUST DESIGN

Heavy duty bearings to withstand hocks and overloads

HIGH ABRASION RESISTANCE

Thanks to the high-chrome wear parts

REINFORCED SEALING

A double silicon carbide mechanical seal for duty application

HIGHER SOLIDS HANDLING

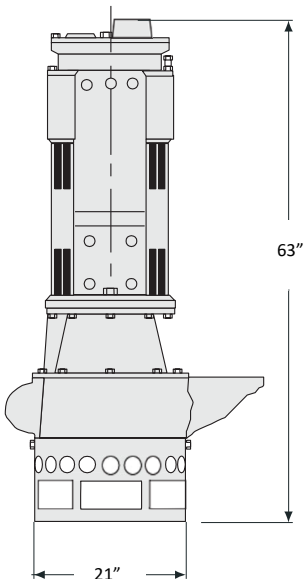
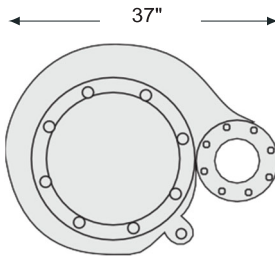
Slurry pumps can handle solids up to 2.5 in

SUSTAINABLE PERFORMANCE

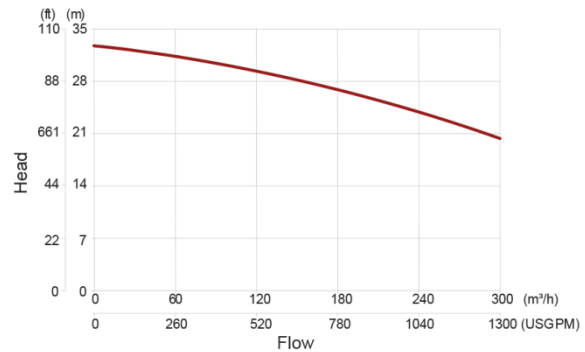
High efficiency high chrome agitator to lift settled solids

SOLIDS HANDLING 2.5 IN

Miramar L1060




Specifications		3ph
Max. head	ft	108
Max. flow	US gpm	1320
	m3/hr	304
Rated output	hp	60
Max. power input	kW	65
Discharge connection	in	ASME 6" 150lb
Max solid handling	in	2.5
Weight and dimensions		
Weight	lbs	2216
Height	in	63
Width	in	37
Diameter	in	21



Typical applications

- Abrasive media with high solids content
- Quarries
- Dredging
- Settling ponds



Product code	Miramar L1060	
Installation	Portable slurry pump	
Discharge connection	6" ASME/DIN	
Hydraulic range	N - Normal Head	
Solid handling	2.4"	
Liquid temperature	max 95°F (35°C), standard	
pH of the liquid pumped	pH 4-10	
Frequency	60 Hz	
Number of Poles	6	
Insulation class	H	
Protection Class	IP68	
Thermal contacts	230°F (110°C)	
Cable	H07RN-F 4G35/TYPE 4xAWG2	
Cable length	65 ft (20m)	
Outer casing	CI Alloy	
Impeller	Cr Alloy CI	
Wear parts	Cr Alloy CI	
Stator housing	CI Alloy	
Strainer	Steel	
Shaft	Stainless steel	
O-rings	Viton	
Discharge connection	Steel	
Bearings	Heavy Duty Bearings	
Motor Side Seals	2 lip seals (BUNA)	
Impeller Side Seals	5 lip seals (3 BUNA + 2 PTFE) + 1 V-RING (TPU)	
Starting method	External DOL starter	
 Power Rating		
Rated power P2: 3.7 kW (5.0 HP)		
Voltage	Max. power input P1	Rated current
460V / 3 Ph	48.8 kW (65.4 HP)	76.5 A
*Other voltages available on request		

Control panel

For easy control of pumps, different options available.



Discharge connections

It can be mounted in either a vertical or horizontal position.



•NPT

Slim Adapter

For lowering pumps in narrow pipes and manholes D50H, D60H, D70H, D90H only



Raft

For easy floatation of pump with fluctuating water levels. Strainer option available



Level regulators

For easy control of water level by automatic pumpswitch-on/-off:



Zinc anodes

Specifically required for pumping water with a high concentration of salts such as sea water, brine, etc.



Low suction collar

To easily drain the water level down to the floor.

Epoxy coating

For protecting pumps in highly acidic media.

Service kits

Seal kit

The seal kit is the proper selection of high quality components for a mechanical seal change to ensure trouble-free operation after servicing.

- O-ring kit
- Mechanical shaft seal



Instant service pack

The instant service pack is a preassembled, tested and ready-to-use seal system containing the mechanical shaft seals, bearings, gaskets and oil to ensure trouble-free operation. It offers a quick onsite repair option due to ease of installation and therefore reduces the machine downtime cost.



Wear part kit

The wear part kit is a typical selection of components to bring the pump performance back to factory standard. The ideal solution for a machine overhaul or refurbishment.

- O-ring kit
- Mechanical shaft seal
- Impeller
- Wear plate
- Diffuser
- Impeller nut