

Miramar L430

Submersible Slurry Pumps



DAEPUMPS.COM

info@daepumps.com

(760) 821-8112

Miramar L430

The **Miramar Slurry Pumps** are the toughest, and have the largest apertures to facilitate handling of slurry with the most challenging solids.

EASY ACCESS

Efficient motor cooling with top discharge and side flow

HIGH ABRASION RESISTANCE

Thanks to the high-chrome wear parts

HIGHER SOLIDS HANDLING

Slurry pumps can handle solids up to 0.8 in

SOLIDS HANDLING 0.8 IN

EFFICIENT MOTOR

Electric motor insulation class H with PTC and

ROBUST DESIGN

Heavy duty bearings to withstand hocks and overloads

REINFORCED SEALING

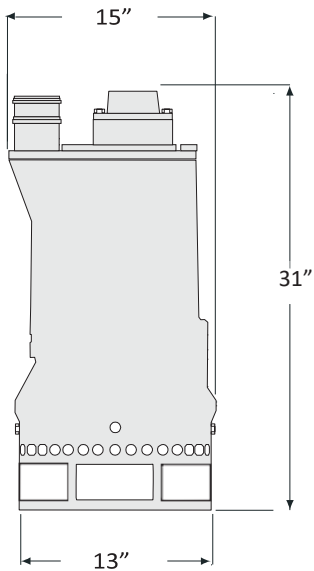
A double silicon carbide mechanical seal for duty application

SUSTAINABLE PERFORMANCE

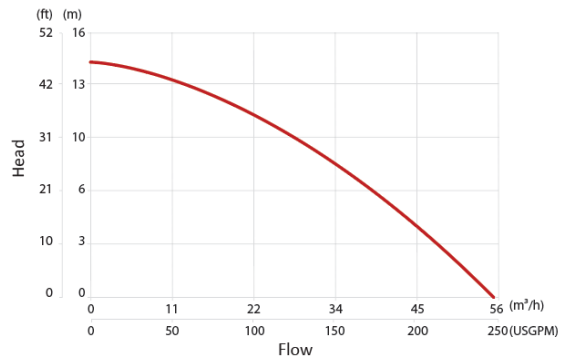
High efficiency high chrome agitator to lift settled solids



Miramar L430

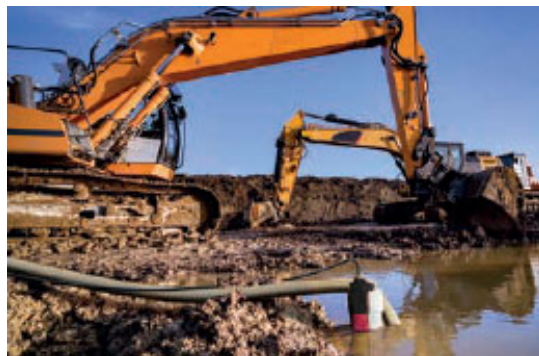


Specifications		3ph
Max. head	ft	47
Max. flow	US gpm	247
	m3/hr	57
Rated output	hp	5
Max. power input	kW	6
Discharge connection	in	3" NPT
Max solid handling	in	0.8
Weight and dimensions		
Weight	lbs	408
Height	in	31
Width	in	15
Diameter	in	13



Typical applications

- Abrasive media with high solids content
- Quarries
- Dredging
- Settling ponds



Product code	Miramar L430
Installation	Portable slurry pump
Discharge connection	3" Hose/NPT
Hydraulic range	N - Normal Head
Solid handling	0.8"
Liquid temperature	max 95°F (35°C), standard
pH of the liquid pumped	pH 4-10
Frequency	60 Hz
Number of Poles	4
Insulation class	H
Protection Class	IP68
Thermal contacts	230°F (110°C)
Cable	H07RN-F 4G10/SOOW 4xAWG6
Cable length	65 ft (20m)
Outer casing	CI Alloy
Impeller	Cr Alloy CI
	Cr Alloy CI
Wear parts	
Stator housing	CI Alloy
Strainer	Steel
Shaft	Stainless steel
O-rings	Viton
Discharge connection	Steel
Bearings	Heavy Duty Bearings
Motor Side Seals	1 mechanical seal (silicon carbide in oil bath)
	1 mechanical seal (silicon carbide in oil bath)
Impeller Side Seals	+ 4 lip seal (2 BUNA + 2 TPU)
Starting method	External DOL starter

Power Rating

Rated power P2: 3.7 kW (5.0 HP)

Voltage	Max. power input P1	Rated current
440V / 3 Ph	4.5 kW (6.0 HP)	7.4 A
460V / 3 Ph	4.5 kW (6.0 HP)	7.5 A

*Other voltages available on request

Control panel

For easy control of pumps, different options available.



Discharge connections

It can be mounted in either a vertical or horizontal position.



•NPT

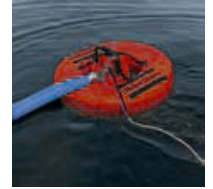
Slim Adapter

For lowering pumps in narrow pipes and manholes D50H, D60H, D70H, D90H only



Raft

For easy floatation of pump with fluctuating water levels. Strainer option available



Level regulators

For easy control of water level by automatic pumpswitch-on/-off:



Zinc anodes

Specifically required for pumping water with a high concentration of salts such as sea water, brine, etc.



Low suction collar

To easily drain the water level down to the floor.

Epoxy coating

For protecting pumps in highly acidic media.

Service kits

Seal kit

The seal kit is the proper selection of high-quality components for a mechanical seal change to ensure trouble-free operation after servicing.

- O-ring kit
- Mechanical shaft seal



Instant service pack

The instant service pack is a preassembled, tested and ready-to-use seal system containing the mechanical shaft seals, bearings, gaskets and oil to ensure trouble-free operation. It offers a quick onsite repair option due to ease of installation and therefore reduces the machine downtime cost.



Wear part kit

The wear part kit is a typical selection of components to bring the pump performance back to factory standard. The ideal solution for a machine overhaul or refurbishment.

- O-ring kit
- Mechanical shaft seal
- Impeller
- Wear plate
- Diffuser
- Impeller nut