

Sonora S333

Submersible Sludge Pumps



DAEPUMPS.COM

info@daepumps.com

(760) 821-8112

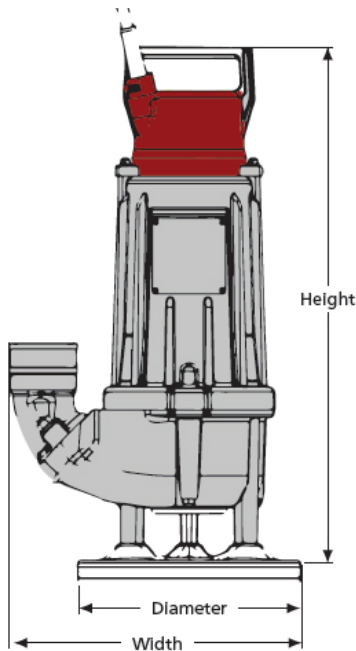
Sonora S333



The **Sonora S333 Submersible Sludge Pumps** can handle thick, soft, wet mud or other similarly viscous mixtures of liquids and solids, especially the product of an industrial or refining process.

Typical applications

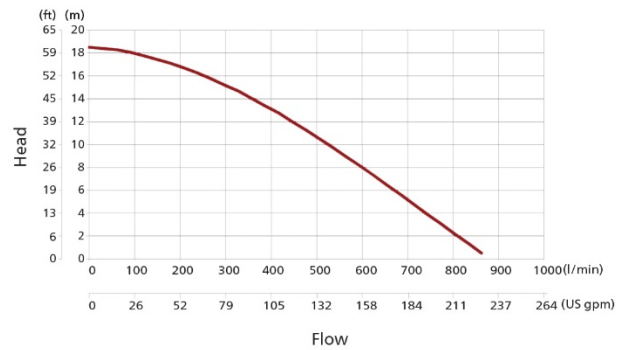
- Water containing mud
- Sludge or light slurry
- Tank clean-out
- Trench and pond cleaning
- Mining



Specifications		3ph
Max. Head	Ft	61
Max. Flow	GPM	230
	M ³ /h	52
Rated output	HP	4.0
Max. power input	kW	3.6
Discharge connection	In	3"
Max solid handling size	In	2"

Weight & Dimensions		3ph
Weight	lbs.	55
Height	in	24.3
Width	in	12.8
Diameter	in	9.8

Pump Curve



Product code	S333
Installation	Portable Drainage pump
Discharge connection	3" std, hose, ISO-G or NPT thread
Hydraulic range	S - Standard Head
Solid handling	Max solid handling size 2 in
Liquid temperature	max 104°F (40°C), standard
Depth of immersion	max 65 feet (20 m)
Liquid Density	9.2 lb. per US gal. (1100 kg/m3)
pH of the pumped liquid	pH 5-8
Frequency	60 Hz
Insulation class	Class F (+311°F/+155°C), IEC 85
Protection Class	IP68
Voltage variation	max ± 5% of nominal voltage
Voltage imbalance	max 2% - between phases
Max start stop	max 30 - No. of starts/hour
Thermal contacts	284°F (140°C)
Cable	Oil and wear resistant rubber cable type HO7RN-F / SOOW 1 Ph: 65ft 3G2.5mm ² /3AWG14 3 Ph: 65ft 4G1.5mm ² /4AWG16
Volute	Rubber lining
Impeller	Cr-alloyed white cast iron, 55±5 HRC
Stator housing	Aluminum
Shaft	Stainless steel
O-rings	Nitrile Rubber
Discharge Connection	Aluminum
Bearings	Single row ball bearing with C3 clearance Primary seal: Silicon carbide against silicon carbide Secondary seal: Lip seal against wear sleeve
Mechanical seal	External Plug for Oil Inspection
Quick couplings	3" BSP female Camlock adaptor/coupling/Storz coupling 75-B
Start type	Built-in capacitor + contactor 1 Ph. Built-in contactor and rotation control for 3 ph
Accessories	Float switch Zinc anodes Epoxy coating

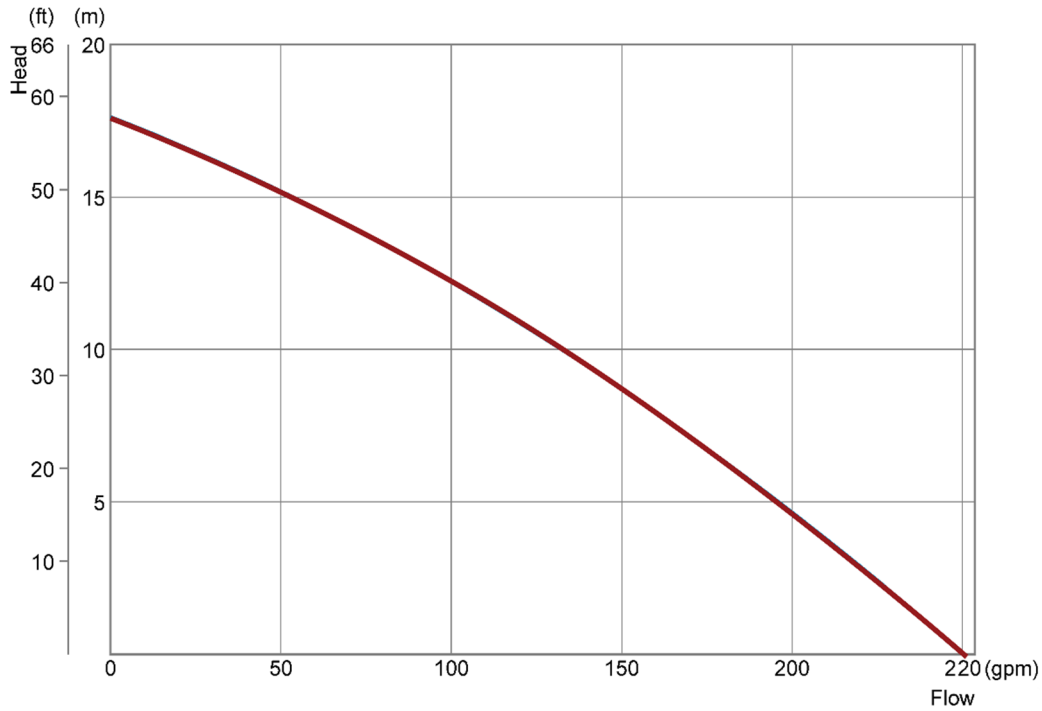
Power Rating

Rated power P2 1-ph: 2.2 kW (3.0 HP)

Motor Data	Rated Power input kW (L / H)	Rated current A (H / L)
230V / 1 Ph	2.8	12.4
380V / 3 Ph	3.6	10.4
460V / 3 Ph	3.6	5.2
575V / 3 Ph	3.6	4.2

*Other voltages available on request

Performance Curve



Power Rating

